

USB ⇔ Dual TTL Converter



Part Number: **USB-232A-1+2xTTL-232-1**

■ INTRODUCTION

This USB ⇔ dual TTL converter is a port-powered bi-directional USB to dual TTL/CMOS 5V converter, which can be used to convert any standard full-duplex USB port into two full-duplex TTL ports and vice versa. The unit is powered from the USB port and it supports data auto-sensing & self-adjusting, and therefore, no baud rate setting is required.

The unit uses the latest FTDI chipset and is fully compatible with Windows 7/Vista/XP/Server2008/2003/2000/98 (32-bit), Windows 7/Vista/XP/Server2008/2003 (64-bit), Win CE, Mac, and Linux. Note: the latest drivers (chipset FT232B) are available at <http://www.ftdichip.com/Drivers/VCP.htm>.

■ FEATURES

- Adds two TTL ports to your USB port.
- Supports 300 to 115,200 baud (auto-sensing and self-adjusting).
- Supports Windows 7/Vista/XP/Server2008/Server2003/2000/98 (32-bit), Windows 7/Vista/XP/Server2008/Server2003 (64-bit), Win CE, Mac, and Linux.
- Supports remote wakeup and power management.
- Plug and play (hot-pluggable, data format auto-sensing and self-adjusting).
- Port-powered, no external power required.
- No IRQs required, no IRQ conflicts.
- CE certified.
- 5-year manufacturer's warranty.

■ SPECIFICATIONS

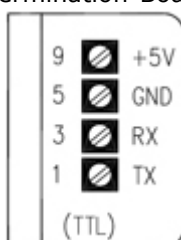
Compatibility:	USB 2.0 (backward compatible) and TTL/CMOS 5V level
Power Source:	From USB port
Current Consumption:	Less than 100mA
Baud Rates:	300 to 115,200bps (auto-sensing and self-adjusting)
Distance:	USB side: 10ft (3m); TTL side: 10ft (3m)
Connectors:	USB side: Type A female; TTL side: 2x DB-9 male; 2x Termination board: DB-9 female and a 4-way terminal block
Dimensions (HxWxD):	0.9 x 2.8 x 6.2 in (24 x 72 x 158 mm) (excluding cable)
Cable Length:	2 ft (0.6 m)
Weight:	5.5 oz (155 g)
Operating Temperature:	32°F to 95°F (0°C to 35°C)
Operating Humidity:	Up to 90% RH (no condensation)

■ PIN ASSIGNMENT

TTL Side (DB-9 Male Connector / Terminal Block):

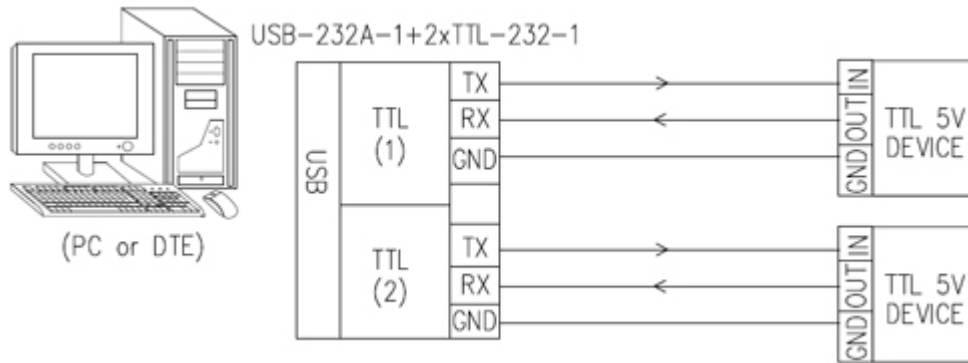
DB-9 Pin:	1	3	5	9
Terminal Block:	TX	RX	GND	+5V
Function:	TTL OUT	TTL IN	GND	+5V measurement

Termination Board:



- The numbers on the left indicate the pin assignment of DB-9 male connector (TTL side).
- TX is the TTL Output, RX is the TTL Input.
- DO NOT connect external power to +5V pin, it is for measurement only. The unit will function correctly only when the voltage on +5V pin is around +5V (when RS-232 port is connected). Otherwise, please check the connection (Figure 1).

■ CONNECTIONS



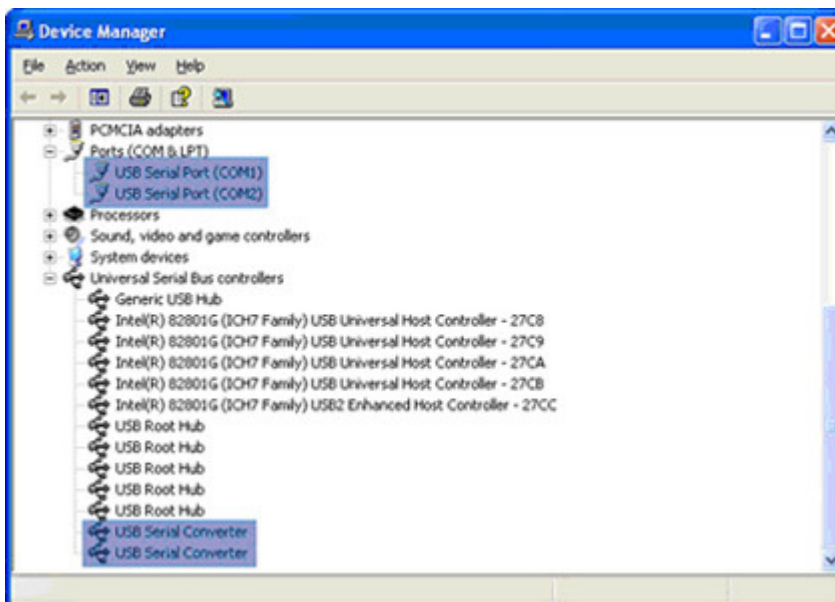
(FIGURE 1: USB-DUAL-TTL CONVERTER CONNECTION DIAGRAM)

■ TTL SIGNAL LEVELS

TTL Input	TTL Output
High (>2.0V)	High (>3.5V)
Low (<0.8V)	Low (<0.6V)

■ TROUBLESHOOTING

- Make sure that the USB-Dual-TTL converter is connected to your USB port, and the driver is installed correctly (as shown below); otherwise, please reinstall the driver (refer to <http://www.commfront.com/USB-Driver-Installation-FTDI.htm> for details).



- Perform a loopback test by using CommFront's 232Analyzer software: Connect a USB-Dual-TTL converter to your PC's USB port and short TX and RX on the TTL terminal block. Run 232Analyzer software on your computer and then send commands from the 232Analyzer software; you should receive an echo of the commands sent. By performing a simple loopback test like this, you can test both the transmitter and receiver of the USB-Dual-TTL converter. This is very helpful when you are in doubt about the performance of your converter.